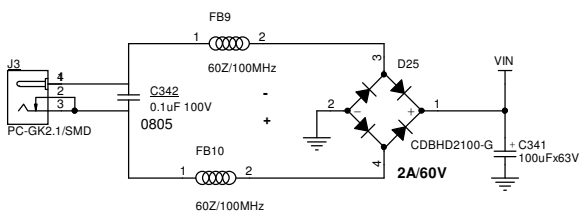
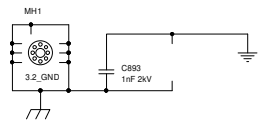
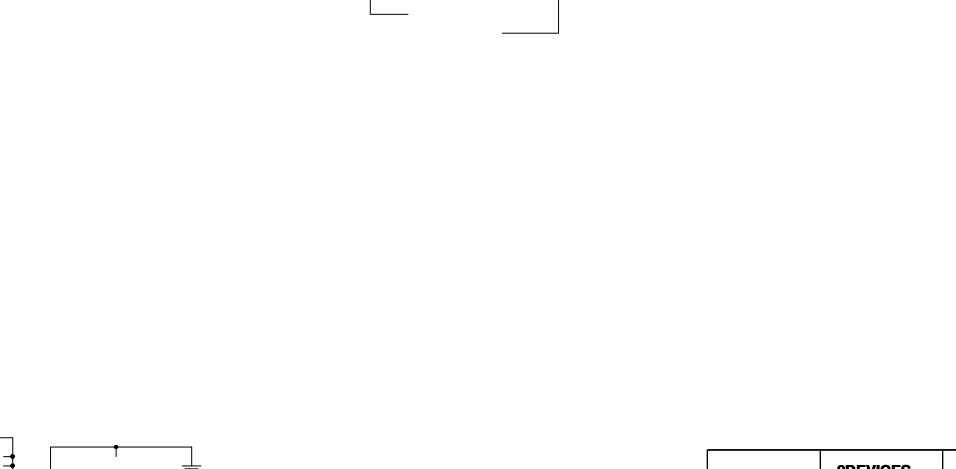
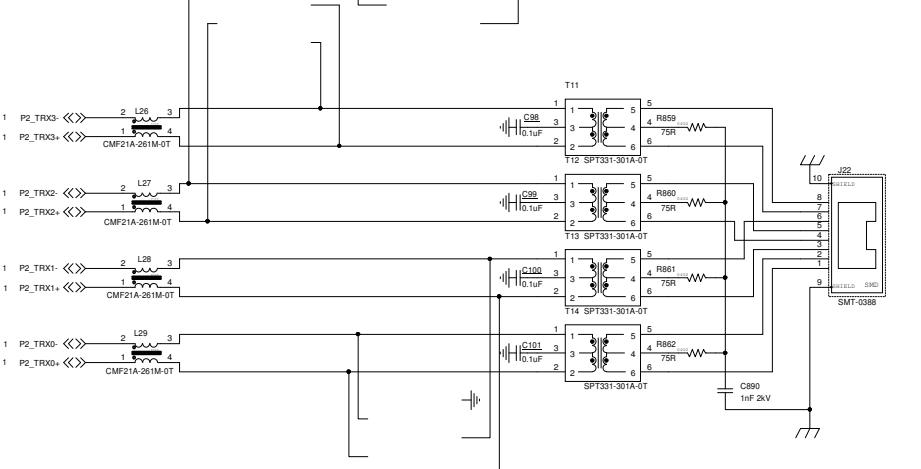
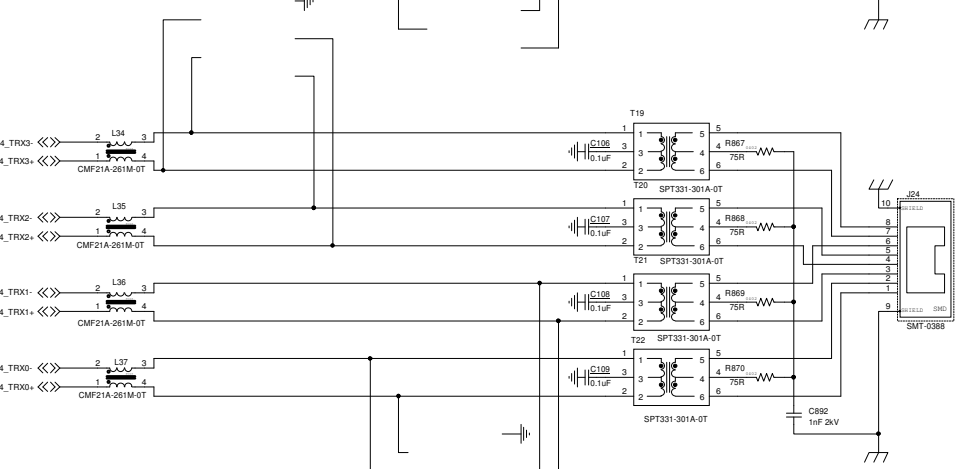
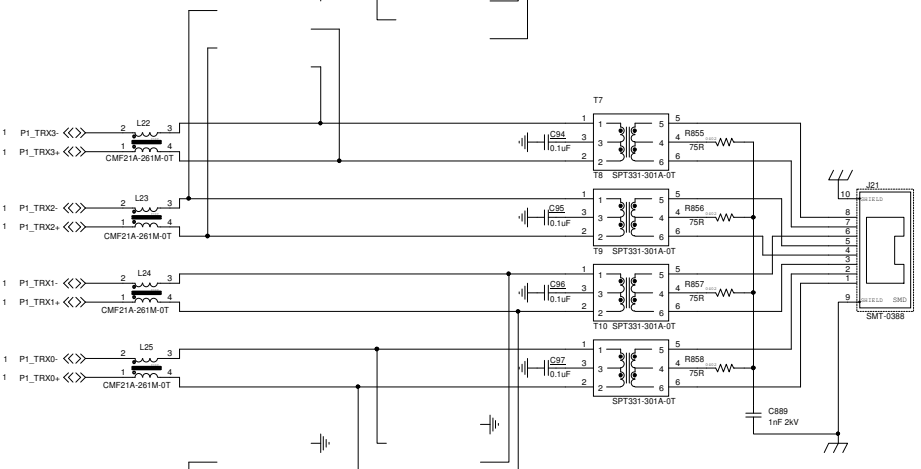
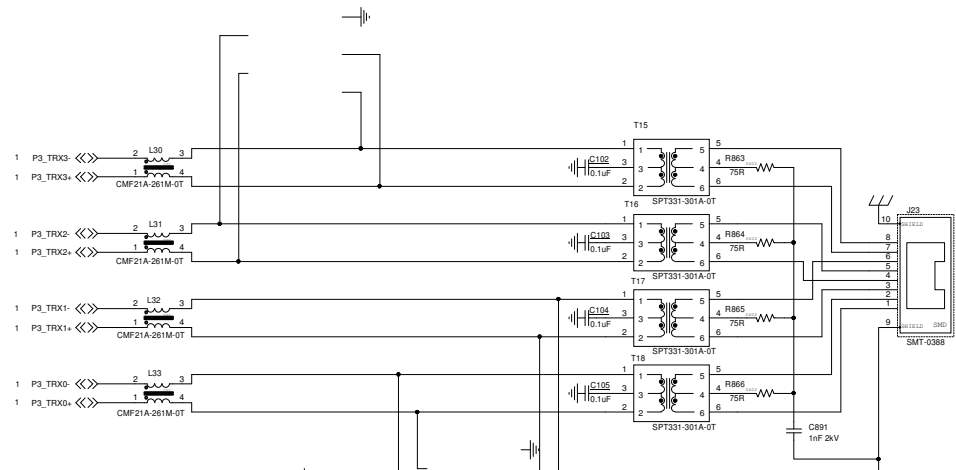
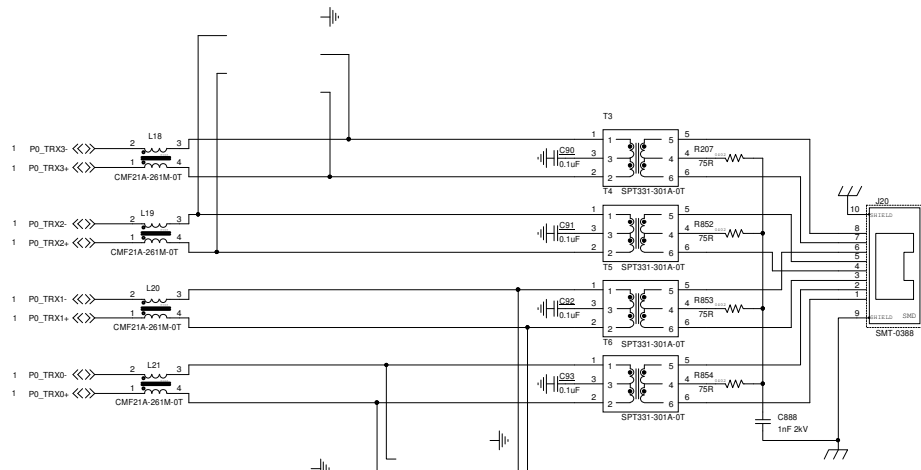


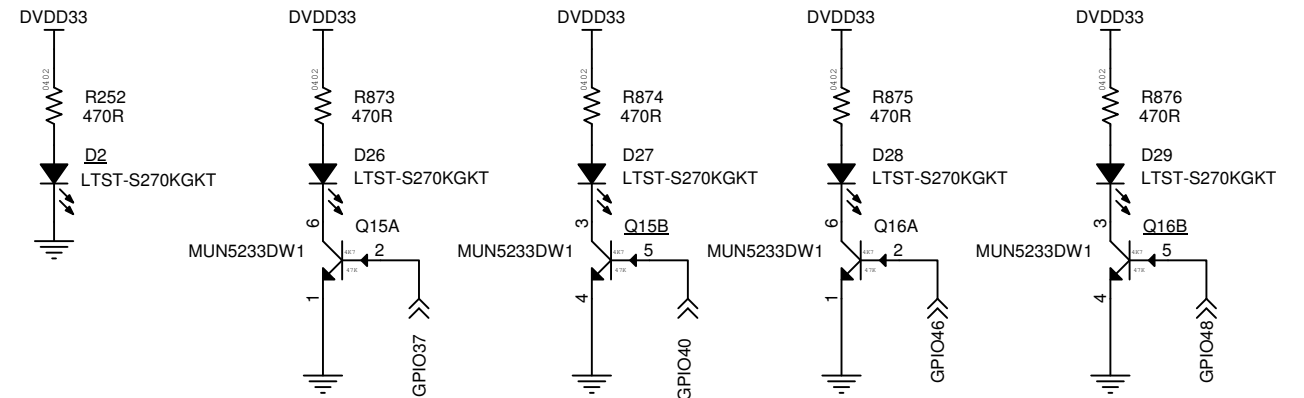
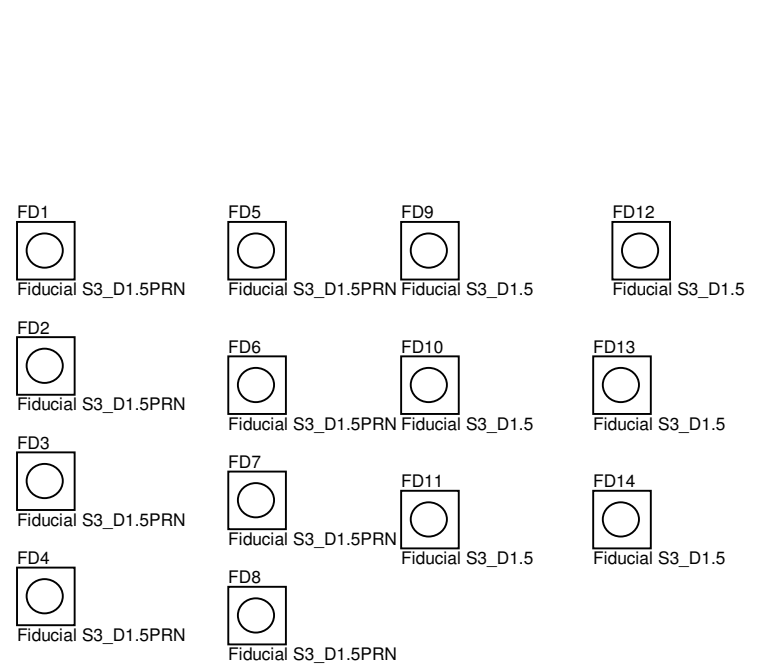
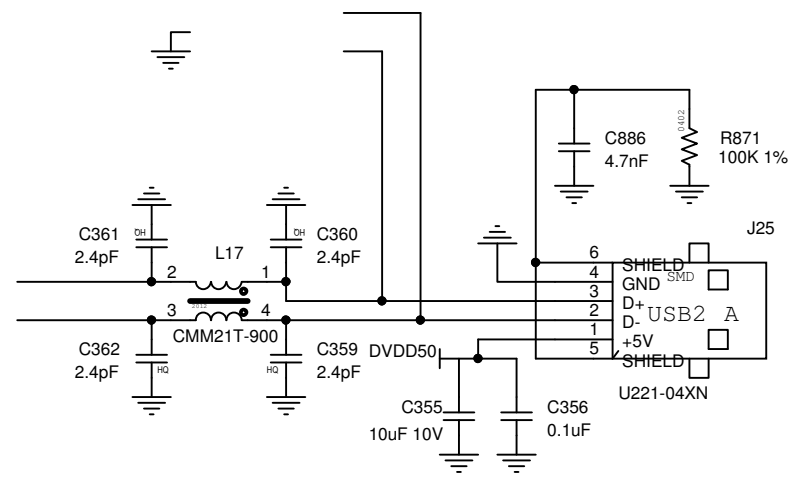
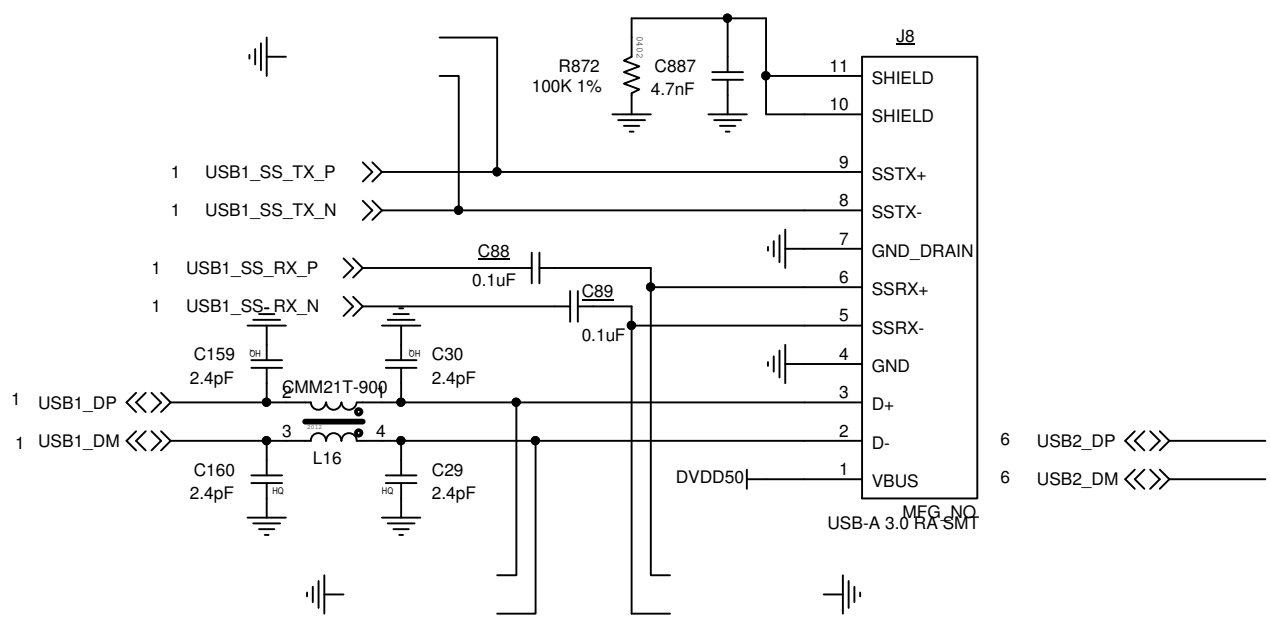
NINIGI PC-GK2.1/SMD
Socket; DC supply; male; 5,5/2,1mm; 5,5mm; 2,1mm; SMT; 3A



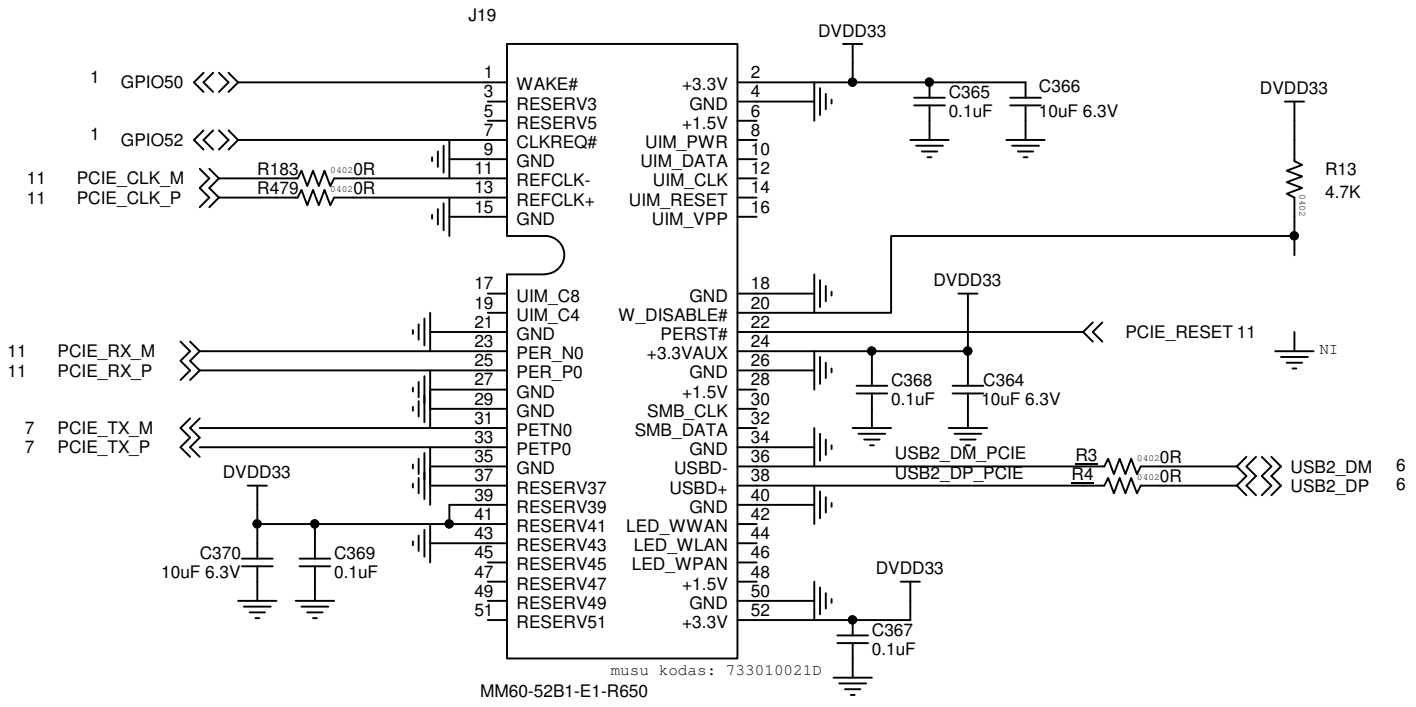
8DEVICES		Approval	
		Drawing	
Title 02-PowerSupply			
Size A3	Document Number 8DEV6001_0003_SB	Rev 3.0	
Date: Thursday, May 16, 2019	Sheet 2		of 5



8DEVICES		Approval	
Title: 03-Ethernet		Drawing	
Size: A2	Document Number: 8DEVE001_0003_SE	Rev: 3.0	
Date: Thursday, May 16, 2019	Sheet: 3	of 5	



8DEVICES		Approval	
		Drawing	
Title 04-USB			
Size A4	Document Number 8DEV6001_0003_SB		Rev 3.0
Date Thursday, May 16, 2019	Sheet 4		of 5



8DEVICES		Approval	
		Drawing	
Title 05-PCIE			
Size A4	Document Number 8DEV6001_0003_SB		Rev 3.0
Date: Thursday, May 16, 2019		Sheet 5 of 5	